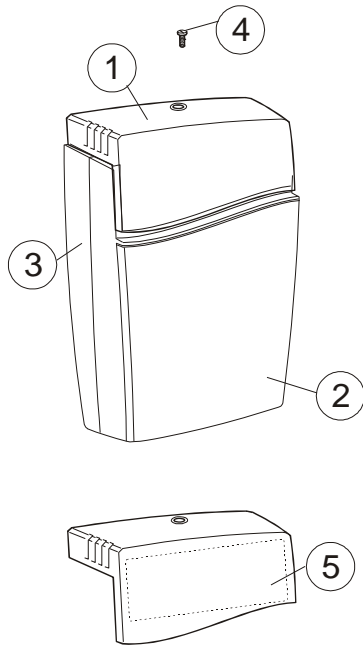


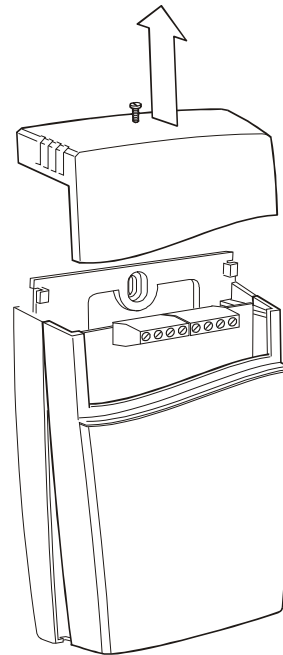
# Installation Manual

## aSENSE

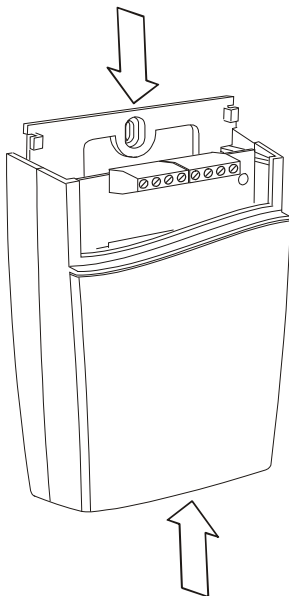
### Dismounting of the sensor



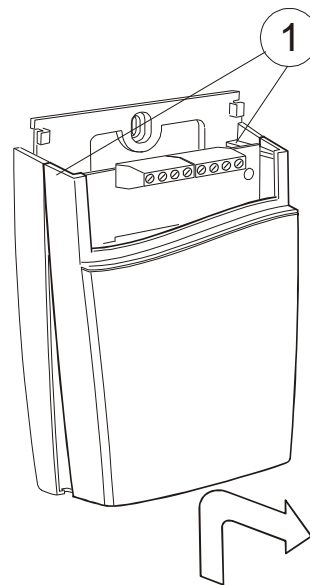
- 1 Top part
- 2 Front part
- 3 Wall plate
- 4 Screw
- 5 Label with settings inside the top part



Pull the top part upwards

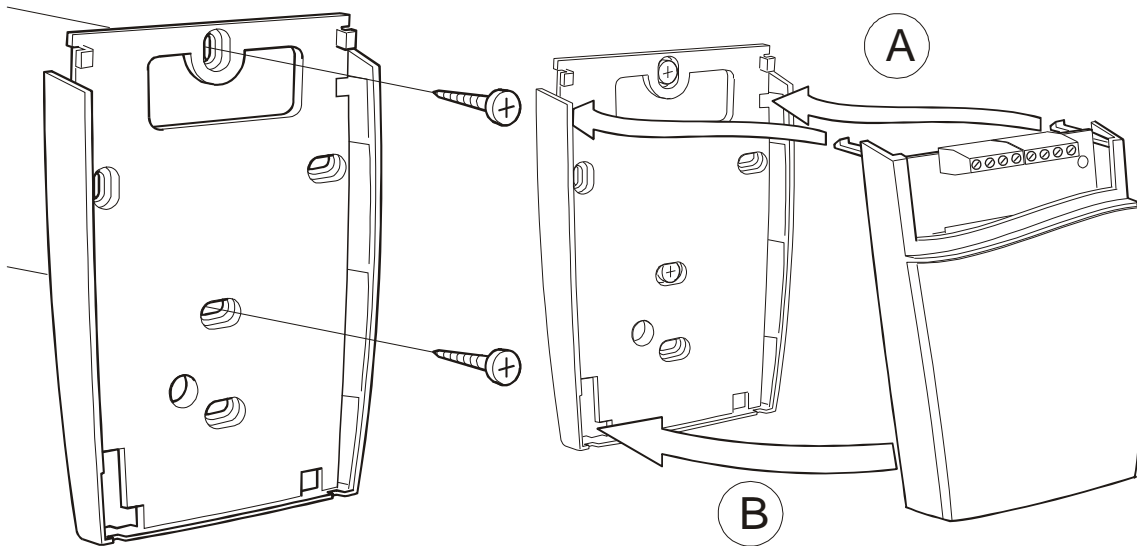


Push the front part upwards while keeping the wall plate steady



Fold the front part forwards and loose it from the hooks (#1)

# Mounting of the sensor

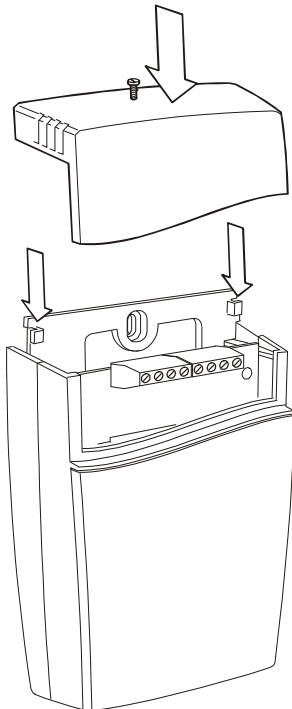


The wall plate is screwed onto the wall

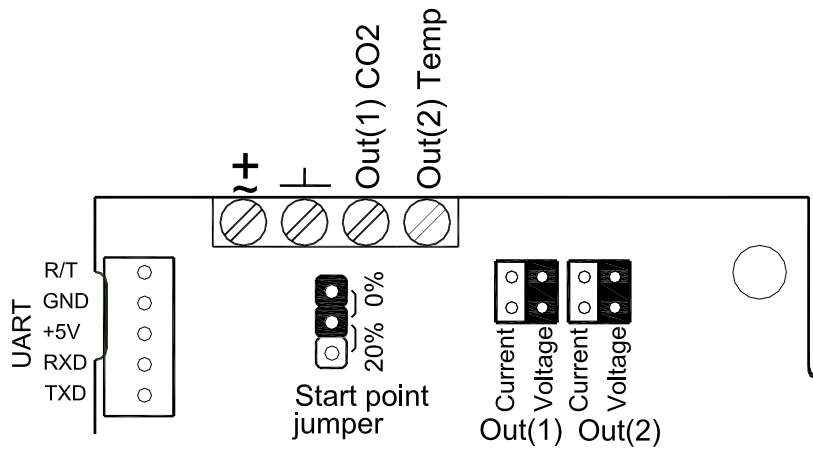
(A) Put the top tabs of the front part into the top holes of the wall plate.

(B) Press the lower edge of the case onto the wall plate to latch

**If the connection cables are drawn through a conduit the conduit must be sealed. Air of different temperature may otherwise disturb the temperature measurements.**



Screw head diameter: **max 7.5 mm**  
 Screw head height: **max 2.5 mm**



The top part is pushed under the locking hooks of the wall plate and is secured with a screw




Terminals and jumpers on aSENSE. The darker positions are default settings. Terminals and jumpers are located under the top part.

**NOTE!**

If for some reason the PCB must be removed it must be handled carefully and protected from electrostatic discharge! Normally, removing the PCB is not required.



## Electrical connections

The power supply has to be connected to  and .  is considered as system ground. The same ground reference has to be used for the aSENSE VAV unit and for any connected device! Unless different transformers are used, special precautions need to be taken.




### NOTE!


The signal ground is not galvanically separated from the aSENSE VAV power supply!

### NOTE!

The same ground reference has to be used for the aSENSE VAV unit and for any connected device!

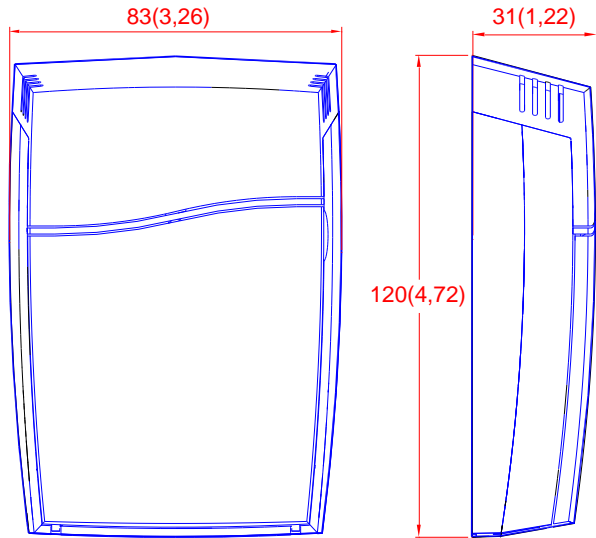
If possible keep the sensor powered up after mounting. Connect the analogue output before measuring.

Connection Terminal	Function	Electrical Data	Remarks
  	Power (+)	24 VAC/DC+ (+-20%), 1W	<i>See note 1</i>
	Power ground (-)	24 VAC/DC-	
Out(1) CO <sub>2</sub>	Analogue Output 1 (+) Standard 0-2000ppm See label for non-standard	0-10 VDC or 0-20 mA 2-10 VDC or 0-20 mA or See label	According to positions of Out(1) and start point jumpers. <i>See note 1!</i>
Out(2) Temp	Analogue Output 2 (+) Standard temperature 0-50 °C or 32-122 °F See label for non-standard	Same as Output 1	According to positions of Out(2) and start point jumpers. <i>See note 1 and 2!</i>

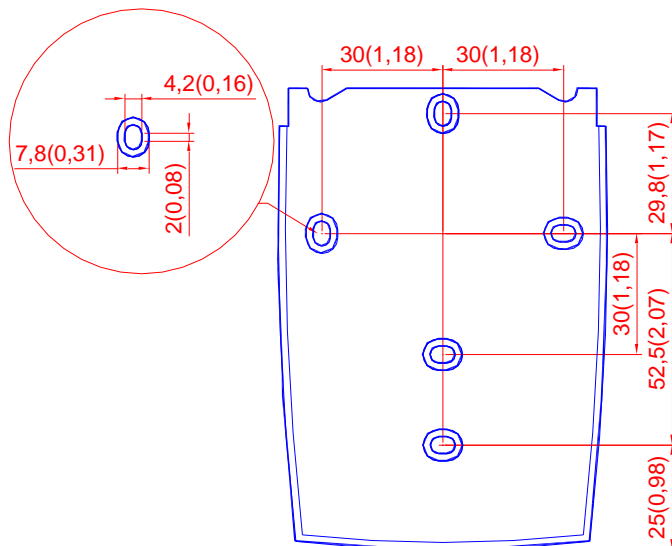
**Note 1:** The ground terminal is used as negative power supply DC input or AC phase ground  (halfwave rectifier). A single transformer may be used for the entire system.

**Note 2:** aSENSE can deliver a voltage or a current loop for Out(1) / Out(2). To change between voltage and current output mode the hardware jumpers are used. There is one jumper for Out(1) and one for Out(2), so that one output can be a voltage output and the other a current output. Both, voltage output and current output can have start points 0 % (0-10 VDC or 0-20mA) or 20% (2-10 VDC or 4-20mA). The same start point is used for both outputs. See the user manual.

## Dimensions and holes



Dimensions of sensor in mm and (inches)



### Mounting of the sensor onto the wall

Screw head diameter: **max 7.5 mm**

Screw head height: **max 2.5 mm**

Dimensions of mounting plate in mm and (inches)

SenseAir® AB (headquarter)

Stationsgatan 12  
Box 96  
824 08 Delsbo  
SWEDEN

Phone: +46-(0)653 - 71 77 70

E-mail: [info@senseair.com](mailto:info@senseair.com)

Web site: [www.senseair.com](http://www.senseair.com)