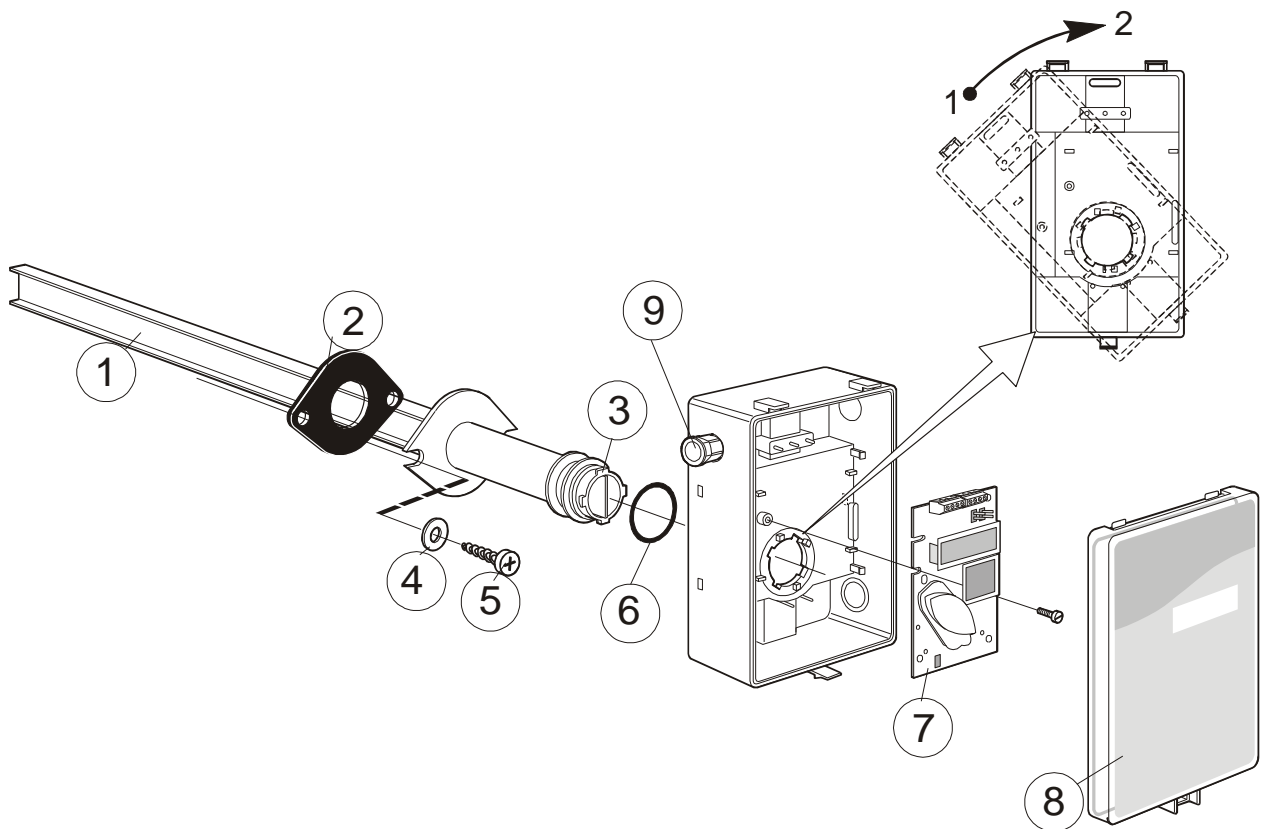


# Installation Manual

## a**SENSE VAV**

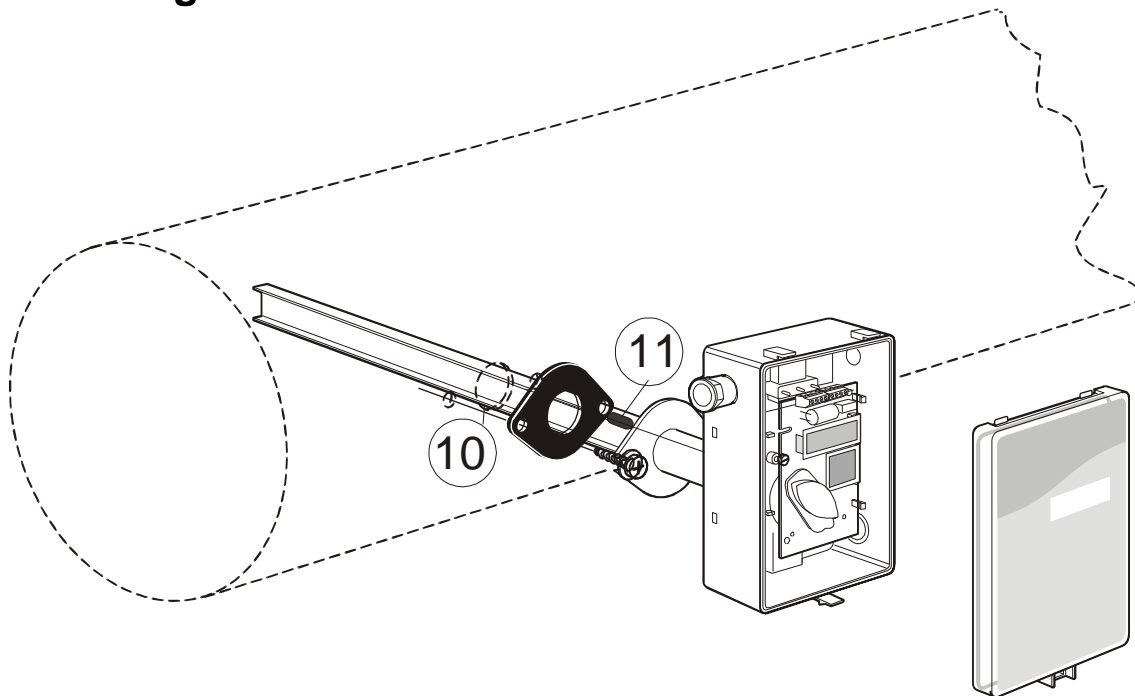
CO<sub>2</sub> / temperature sensor with built-in general purpose controller for mounting in ventilation ducts



- 1 Sampling probe
- 2 Sealing gasket
- 3 Largest locking nob
- 4 2 washers BRB 5,3x10x1  
...(not included)
- 5 2 screws RXS 4,8x16  
...(not included)

- 6 O-ring 29,2x3,53 (Factory supplied mounted in box)
- 7 PCB (Factory supplied mounted in box)
- 8 Snap-in lid
- 9 PG9 cable entry bushing

## Mounting of aSENSE VAV on to the duct.



- 10 Hole with 25 mm diameter  
 11 Temperature sensor with 110 mm cable mounted in the sampling probe

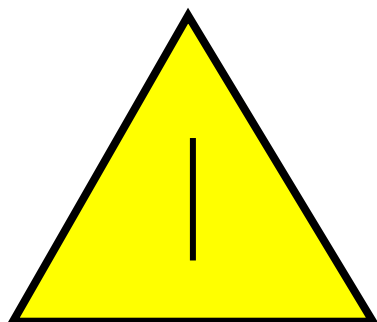
## Mounting Instruction

Since there might be a substantial pressure difference in duct mounting applications, it is essential to avoid ambient air from suction into the duct mounting box. For correct function it is indispensable that the sealing of the box cover, the cable entry bushings, the cable feed through and the duct entrance are absolutely tight. The duct entrance may need extra sealing paste in order to prevent leakage. The PCB must be handled carefully and protected from electrostatic discharge.

- 1) **Electrical cable entry:** The box has a factory mounted cable entry bushing in dimension PG9. Never feed more than one cable through each cable entry bushing, or else gas might leak through!
- 2) **Mounting the tube:** Drill a hole (10) with 25 mm diameter (or 1 inch) for the sampling probe and two holes with 4 mm diameter for the screws (5) into the air duct and mount the tube (1) with the gasket (2). The sampling probe should be mounted with the largest locking knob on top. The unit can be mounted with the air coming from the left or right.
- 3) **Attaching the sensor box** is made to the sampling probe by a snap-in bayonet fitting. First, carefully stick the temperature probe (11) into the sampling probe. (1). Orient the box onto the sampling probe so that the box upside is on the same side as the largest locking knob (3). When the probe is fitted into the notches of the box, then turn the box clockwise until stop (see Figure 1). Position 1 indicates *open* where the box can be removed from the sampling probe. In position 2 the box is locked to the probe.

## Electrical connections

The power supply has to be connected to  $\overset{+}{\sim}$  and  $\perp$ .  $\perp$  is considered as system ground. The same ground reference has to be used for the aSENSE VAV unit and for any connected device! Unless different transformers are used, special precautions need to be taken.



**PLEASE NOTE!** The aSENSE VAV signal and power supply grounds are common

**NOTE!** The same ground reference has to be used for the aSENSE VAV unit and for the control system!

Connect the power after mounting. The analogue output should be connected before measuring.

Connection Terminal	Function	Electrical Data	Remarks
$\overset{+}{\sim}$	Power (+)	24 VAC/DC+ (+-20%), 3W	2W without output load See note 1!
$\perp$	Power ground (-)	24 VAC/DC-	
Out(1)	Analogue Output 1 (+)	0-10 VDC or 0-20 mA, 2-10 VDC or 4-20 mA,	According to positions of Out(1) jumper and start point selection. See note 2!
Out(2)	Analogue Output 2 (+)	Same as Output 1	According to positions of Out(2) jumper and start point selection. See note 2!
5	Signal Ground (-)	Connected to G0 via PTC fuse	See note 1!
6 7	Normally open relay	Contact free relay minimum load 1mA/5V rated load 0,5A/125VAC; 1A/24VDC	Triggered by register Out(3)
8 Out(4)	Analogue Output 4 (+) or Open Collector	0-10 VDC Max 0,5A, 55VDC / 40VAC (half-wave rectifier protection)	According to positions of Out(4). See note 2 & 3!
DI1 DI1	Digital Input 1	Closed contact current 1mA Open contact voltage max 5V	<b>Do not apply any voltage on this input!</b>

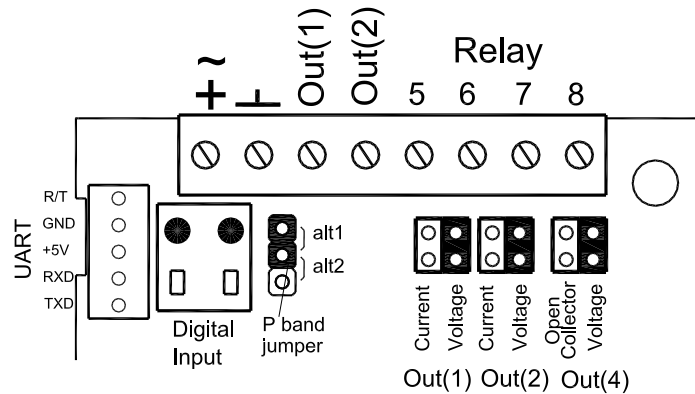
**Note 1:** The ground terminal is used as negative power supply DC input or AC phase ground  $\perp$  (halfwave rectifier). The signal ground M, protected by a PTC resistor, is the same as power ground  $\perp$  (permitting a "3-wire" configuration). A single transformer may be used for the entire system.

**Note 2:** aSENSE VAV can deliver both a voltage or a current loop for Out(1) / Out(2). For Out(4) a voltage output or an open collector output is selected with jumper OUT4. To change between voltage and current output mode the hardware jumpers are used. There is one jumper for Out(1) and one for Out(2), so that one output can be a voltage output and the other a current output. Both, voltage and current output, can have start points 0 % (0-10 VDC or 0-20mA) or 20% (2-10 VDC or 4-20mA) selected from PC software. See the user manual.

**Note 3:** Current of Open Collector is internally returned to terminal.

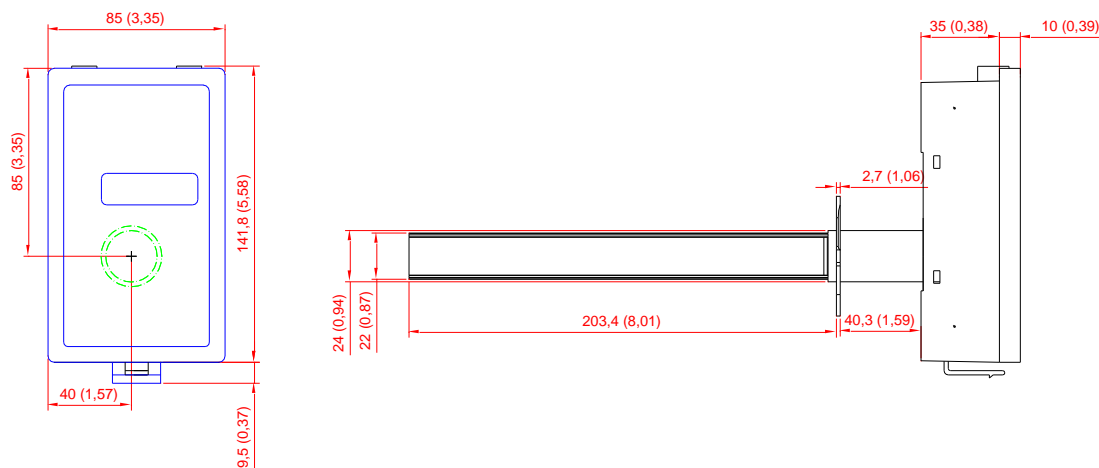


If for some reason the PCB must be removed it must be handed carefully and protected from electrostatic discharge! Normally, removing the PCB is not required.

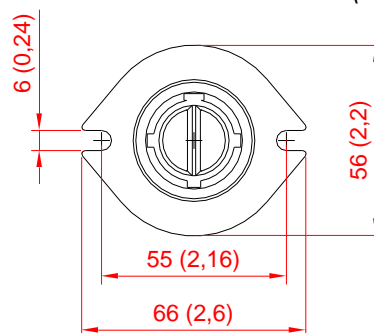


Terminals and jumpers on aSENSE VAV. The darker positions are default settings.

## Dimensions



Dimensions of sensor in mm and (inches)



### SenseAir® AB (headquarter)

Stationsgatan 12  
Box 96  
820 60 Delsbo  
SWEDEN

Phone: +46-(0)653-71 77 70  
E-mail: [info@senseair.com](mailto:info@senseair.com)

Web site: [www.senseair.com](http://www.senseair.com)